

SAFARI RANGER

(4 PLAYER)



Be Sure
to Read this
Manual
Before Use



Operation Manual



www.universal-space.com

CONTENT

Important Safety Instructions.....	2
1. SPECIFICATIONS	4
2. PACKAGE CONTENTS	5
3. PART NAME	6
4. SET UP & INSTALLATION	7
5. HOW TO PLAY.....	10
6. GAME OPTIONS.....	11
7. ERROR MESSAGE AND TROUBLE SHOOTING.....	16
8. MAINTENANCE & INSPECTION	17
9. OVERALL CONSTRUCTION.....	18

Non-technical personnel who do not have technical knowledge and Expertise should refrain from performing such work that this manual require or perform tasks which are not explained in this manual. Failing to comply can cause severe accidents such as electric shock or other serious injuries. All repairs must be performed to original manufacturer specifications.

WARNING: To reduce the risk of fire, electric shock or personal injury, unplug or disconnect the machine from the power supply before servicing.

Thank you for purchasing **SAFARI RANGER** from Universal Space. We hope you enjoy the product.

This manual contains valuable information about how to operate and maintain your game machine properly and safely. It is intended for the owner and/or personnel in charge of product operation. Carefully read and understand the instructions.

If you need any help during installation and setup please utilize this manual and troubleshooting guide. If the product fails to function properly, *non-technical personnel should under no circumstance attempt to service the machine*. Contact your distributor or manufacturer for help.

Before use, please read **IMPORTANT SAFETY INSTRUCTIONS**.

IMPORTANT SAFETY INSTRUCTIONS

To ensure the safe usage of this product, carefully read and understand these instructions before operating your game.

Save these instructions for future reference.

Use this product only as described in this manual. Other uses not recommended may cause fire, electric shock or personal injury. Unplug the game from the outlet when not in use, when moving from one location to another, and before cleaning/servicing.

Explanations which require special attention are indicated by signs of warning. Depending on the potential hazardous degree, the terms: **NOTE**, **NOTICE**, and **WARNING** are used.

NOTE: A NOTE indicates useful hints or information about product usage.

NOTICE: A NOTICE indicates potential damage to product and how to avoid the problem.

WARNING: A WARNING indicates a potential for product damage or serious personal Injury.

It is important to understand the meaning of the following **HAZARD SIGNS** before continuing:

High Voltage and Shock Hazard:

High voltage can cause electric shock.
Turn off/unplug power before servicing.



High Temperature Hazard:

This part may cause scalding.
Do not touch. Surface may be hot.



No Touching Hazard:

This part may be hot or can cause electric shock.
Do not touch.



Use the following safety guidelines to help ensure your own personal safety and to help protect your equipment and surrounding environment from potential damage.

 **This product is an indoor game machine. Do not install outdoors.**

Avoid installing in the following places to prevent fire, electric shock, injury and/or machine malfunctioning:

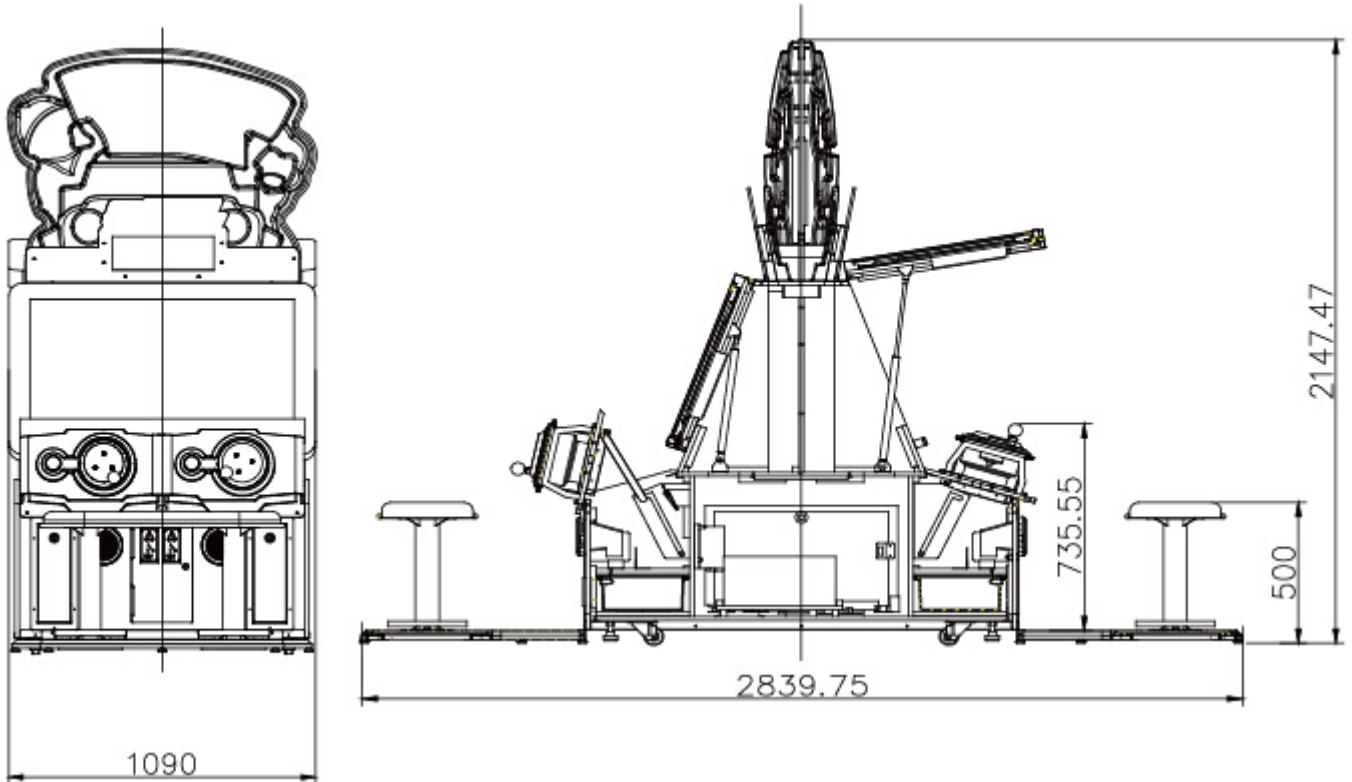
- Places subject to rain/moisture, or places subject to high humidity.
- Places subject to direct sunlight, or places subject to extremely hot or cold temperatures to ensure that it is used within the specified operating range.
- Places where inflammable gas may be present or in the vicinity of highly inflammable/volatile chemicals or items that can easily catch fire
- On unstable or sloped surfaces. The machine may topple or cause unforeseen accidents.
- Vicinity of fire exits, fire extinguishers etc that may block/prevent safety measures

IMPORTANT NOTE:

ALL REPAIRS MUST BE DONE TO ORIGINAL MANUFACTURER SPECIFICATIONS. FAILURE TO DO SO VOID ALL WARRANTIES AND OPERATOR ASSUMES ALL RISKS.

Note: The contents of this manual may be updated without notice.

1. SPECIFICATIONS



Rated power supply: AC220-240V, AC110V 50/60Hz

Min. Power consumption: 450W

Max. Power consumption: 580W

Dimensions: W1090×D2840×H2148 (mm)

Weight: Approximately 280kg

! **NOTICE:** After turning off the game, please wait at least 1 minute before restarting again.






Note: Game parameters are subject to change without notice.

! **NOTICE:** After turning off the game, please wait at least 1 minute before restarting again.

2. PACKAGE CONTENTS

Open the package and make sure all the items are included:

- 1 x Body Assembly
- Following accessories

No.	Part No.	Code No.	Name	SPEC.	Illustration	Qty.
1	S124-460-000	25300172002	Key	171B		2
2	S124-459-000	25300171002	Key	171		3
3	S124-402-000	23301010041	Power cord	10A/250V-1.8M		1
4	S124-461-000		Manual	English		1
5	S124-405-000	21901000012	Fuse	Φ5×20mm T10A 250VAC		1
6	S124-412-000	41300000005	Memory disk	8G		1

If any items are found to be missing, please contact your sales representative for help immediately.

NOTE: Part models are subject to change without notice.

3. PART NAME



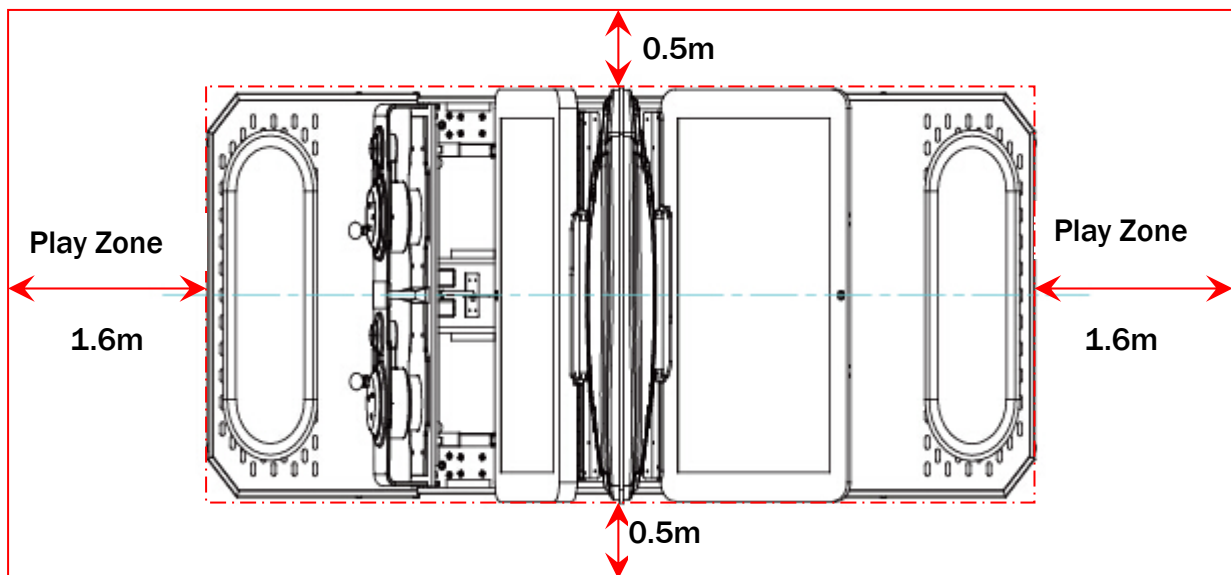
4. SET UP & INSTALLATION

! This product is an indoor game machine. Do not install outdoors.

- Refer to IMPORTANT SAFETY INSTRUCTIONS (Pg. 2) for places to avoid
- Place the unit on a dry level surface
- Ventilation openings in the back of the unit must not be obstructed by objects or by wall.

4.1 Play Zone

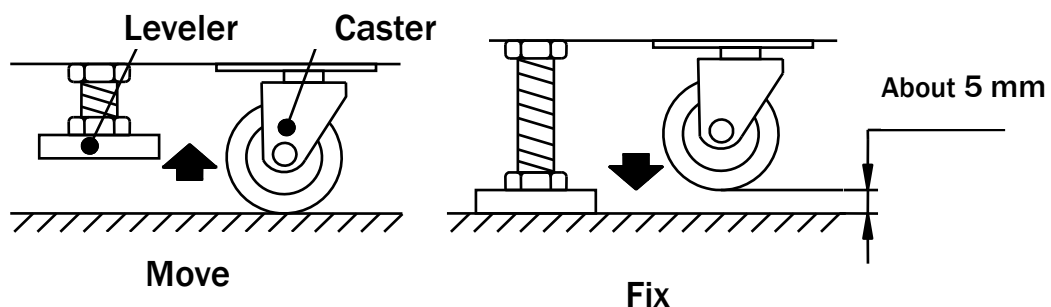
This machine requires space for playing and for maintenance as shown below. Leave space around the game upon installation:



4.2 Level Adjustment

Install this machine on a flat surface. Adjust levers to lift casters off the ground to level the game. If the game is installed on an unsuitable floor, it could cause game malfunction.

To secure the game, adjust the Leveler down until it touches the floor, lifting the casters off the ground by 5mm. Repeat the same for all levelers.

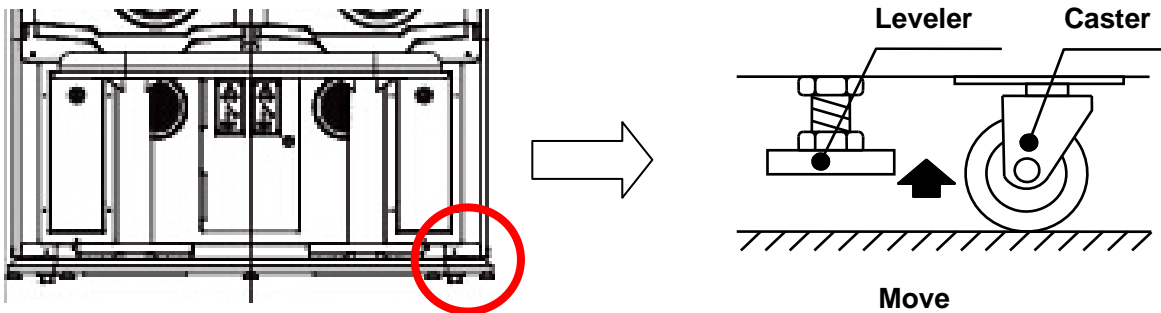


NOTICE

Make sure the machine is level with the ground and all the adjustable legs should stick to the floor closely.

4.3 Transporting the Game


If you need to move the game, adjust the levelers back to an “up” position so the casters touch the ground.



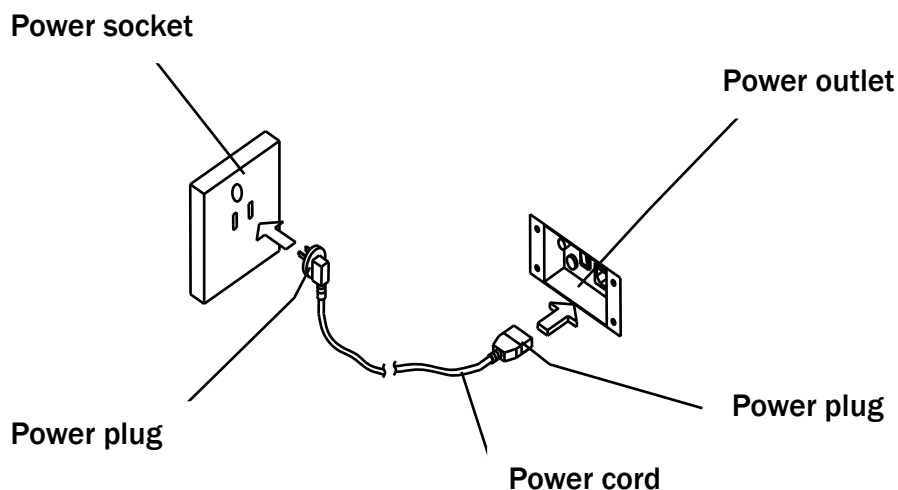
NOTICE

- Be careful not to damage the machine during transport.
- The machine should be handled with care when bringing it down from a higher level.
- Always unplug the game before moving.
- Keep the machine in upright position during transport.
- For longer distance transport, package the game properly to prevent damages

4.4 Connecting Power

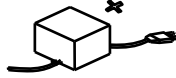
 **WARNING:** Check the voltage rating before you connect the equipment to an electrical outlet to ensure that the required voltage and frequency match the available power source. Please refer the label of the machine.

- Do not plug the equipment power cables into an electrical outlet if the power cable is damaged.
- Avoid putting many loads on one electrical outlet as it could generate heat and fire resulting from overload.
- Connect the grounding conductor to the earth terminal (GND):

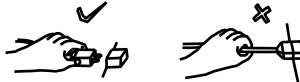


**WARNING**

Ensure no heavy objects rest on the power cord. Check to make sure the game cabinet does not sit on the power cord as this could damage the cord and become hazardous.



To disconnect the game, grip the plug and pull it from the wall outlet. Never pull by the cord.



To prevent electric shock, do not touch the power plug when hand is wet.



Ensure that nothing rests on the power cord and that it is not located where it can be stepped on or tripped over.



5. HOW TO PLAY

5.1 Game Operation



5.2 How To Play



6. GAME OPTIONS

6.1 Main Menu Operation

1. Press TEST button and go into the Main Menu for the settings.
2. Press Service button for credits.

6.2 Main Menu Options:

<p style="text-align: center;">Main Menu</p> <p style="text-align: center;">Basic Setting Customized Setting Input Test Output Test Game Reset Date/Time Setting Language 语言/: English Bookkeeping Daily Record About This Game Back to Game</p> <p>Safari Ranger V1.0</p>

6.2.1 Basic Setting

Items		Description
Free Play	OFF	Play the game without credits.
Ticket Out	ON	Set to payout tickets after game over.
Demo Music	ON	Set to have music in demo mode.
Memory Save	ON	Save credits and tickets after power off.
Volume	10	Set the volume during playing.
Payout ON/OFF	ON	Set to pay out tickets after game over.
Payout	30	Set the average ticket payout.
Game Time	30	Set the game time. Unit is second
Coins Per Game	1	Set the credit to play one game.
Out of Tickets	Store in memory	Set to continue to play or call attendant when out of ticket.
Back & Save		Save the settings and back to main menu.
Back		Back to main menu without saving any changes.

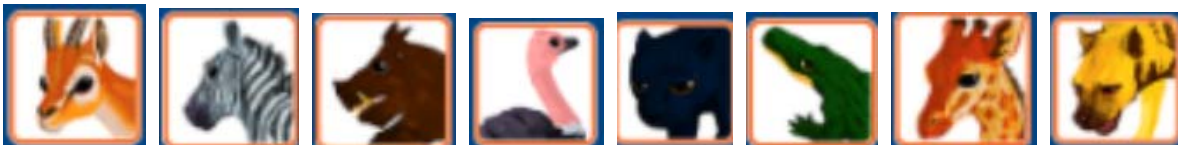
6.2.2 Customized Setting

Items		Description
Fixed Ticket	OFF	Set to pay out fixed ticket every time.
Divided by 2	OFF	Set to pay out half of the won tickets.
Point Mode/Ticket Mode	Ticket	Set the animal indicate point or ticket.
Animal Tickets Setting		Set animal tickets when it is in Ticket Mode.
Animal Points Setting		Set animal points when it is in Point Mode.
Score Board		Set score transfer to ticket when it is in Point Mode.
Continue Time	10	Set the time to wait for credits to continue to play.
Auto Play Time	10	Set the time to auto lasso when no action after credits.
Mercy Ticket	0	Set the minimum ticket payout every time.
Bonus Frequency Setting		Set the BONUS animals appear frequency during play.
Resistance Setting		Set the resistance grades of the reel.
Back & Save		Save the settings and back to main menu.
Back		Back to main menu without saving any changes.

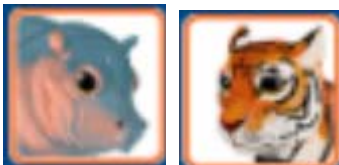
Small Animal:



Medium Animal:



Large Animal:



Safari Big Five Animal:



Buffalo

Rhino

Leopard

Elephant

Lion

White Lion (Safari Bonus):



6.2.3 Input Test

Items		Description
Coin Mech 1	OFF	Test the coin mech 1 input signal.
Coin Mech 2	OFF	Test the coin mech 2 input signal.
Coin Mech 3	OFF	Test the coin mech 3 input signal.
Coin Mech 4	OFF	Test the coin mech 3 input signal.
Throw Button 1	OFF	Test Lasso button 1 input signal.
Throw Button 2	OFF	Test Lasso button 2 input signal.
Throw Button 3	OFF	Test Lasso button 3 input signal.
Throw Button 4	OFF	Test Lasso button 4 input signal.
Reel In 1	OFF	Test reel 1 input signal.
Reel In 2	OFF	Test reel 2 input signal.
Reel In 3	OFF	Test reel 3 input signal.
Reel In 4	OFF	Test reel 4 input signal.
Test Button 1/2	OFF	Test "TEST" button in counter panel.
Test Button 3/4	OFF	Test "TEST" button in counter panel.
Reset Button 1/2	OFF	Test "RESET" button in counter panel.
Reset Button 3/4	OFF	Test "RESET" button in counter panel.
Back		Press Setting Button to back to the Main Menu

6.2.4 Output Test

Items		Description
Test Ticket 1		Test ticket payout of ticket dispenser 1.
Test Ticket 2		Test ticket payout of ticket dispenser 2.
Test Ticket 3		Test ticket payout of ticket dispenser 3.
Test Ticket 4		Test ticket payout of ticket dispenser 4.
Test Vibration 1		Test vibration of reel 1.
Test Vibration 2		Test vibration of reel 2.
Test Vibration 3		Test vibration of reel 3.
Test Vibration 4		Test vibration of reel 4.
Resistance Level 1	0	Test resistance of reel 1.
Resistance Level 2	0	Test resistance of reel 2.
Resistance Level 3	0	Test resistance of reel 3.
Resistance Level 4	0	Test resistance of reel 4.
Throw Button Light 1	OFF	Test Lasso button light 1
Throw Button Light 2	OFF	Test Lasso button light 2
Throw Button Light 3	OFF	Test Lasso button light 3
Throw Button Light 4	OFF	Test Lasso button light 4
Out of Ticket Light 1	OFF	Test owed ticket light 1.
Out of Ticket Light 2	OFF	Test owed ticket light 2.
Back		Back to main menu without saving any changes.

6.2.5 Game Reset

Items	Description
Factory Restore	Restore all settings to factory setting.
Reset Basic Settings	Reset settings to factory setting in Basic Setting.
Reset Customized Setting	Reset settings to factory setting in Customized Setting.
Clear All Records	Clear All data records.
Clear Owed Ticket	Clear owed ticket records
Clear Unused Coin	Clear unused coin records.
Back	Back to main menu without saving any changes.

6.2.6 Date/Time Setting

Items	Description
Year 2014	Set the year of the date.
Month 9	Set the month of the date.
day 18	Set the day of the date.
Hour(24) 10	Set the house of the date
Minute 16	Set the minute of the date.
Second 21	Set the second of the date
Back & Save	Save the settings and back to main menu.
Back	Back to main menu without saving any changes.

6.2.7 Book Keeping

Player	Coins	Tickets	Payout
1	0	0	NaN
2	0	0	NaN
Sum	0	0	NaN
NON RESETTABLE POINTS			
NON RESETTABLE TICKETS			
Back			

6.2.8 Daily Record

Date	Weekday	Run Time	Coins	Tickets	Payout
2014-9-18	THU	00:00	0	0	NaN
Clear					
Back					

6.2.9 About This Game

CPU	Inter(R) Core(TM) i3 CPU 530 @ 2.93 GHz
Mother Board	Colorful.....
HDD	ST320
RAM	16248 MB
Monitor	i5 24 10M/2G....
Screen	1618*910/1920*1080
Version	Safari Ranger V1.0
Press Setting Button to Back	

7. ERROR MESSAGE AND RECOVERY

7.1 Error Message

Symptom: Screen displays message “**Communication ERROR**” (there is communication problem with the game)

Possible Causes & Fixes:

- Communication data wire is damaged → Replace the data wire.
- SCM is not working → Ask your technician to check and repair
- PC COM port has been used → Ask your technician to check and repair

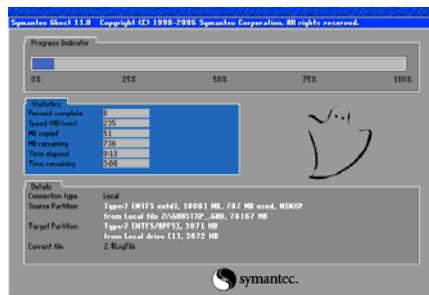
Symptom: Screen displays “**PLEASE CALL ATTENDENT**”, “**TICKET ERROR**” (there is problem in the ticket payout function)

Possible Causes & Fixes:

- No tickets in the game → Replenish tickets and then press the TICKET RESET button.
- Ticket dispenser is damaged → Replace with a new ticket dispenser.
- Faulty connection → Ask the technician to check and repair.

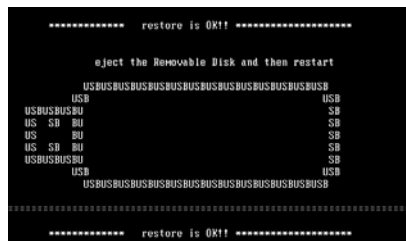
7.2 System Recovery Operation

1. Turn off the game. Insert the memory stick into the USB port at the back of the computer.
2. Restart PC to enter the system recovery screen as shown.



3. The game will automatically start recovery which will take last about 5 minutes. Please wait until process is complete.

4. Once system recovery is finished (as shown below), remove the USB flash drive from the computer and turn off the PC. Wait at least 30 seconds before restarting the PC.



WARNING: the USB flash drive should only be used to fix software errors. Using it for other purposes may cause unexpected results and damages.

8. MAINTENANCE & INSPECTION

8.1 Safety Check

Check the points listed before operating the machine. These checks are necessary for safe machine operation:

1. Try to run the game before operation each day.
2. Conduct monthly routine checks of game components ensure good working condition
3. Check the machine regularly for dust and clean when necessary.

Note: Parts and components require preventative maintenance to be kept running smoothly

8.2 Handling Precautions

When installing or inspecting the machine, be very careful of the following points and pay attention to ensure that the player can enjoy the game safely.

Non-compliance with the following points or inappropriate handling running counter to the cautionary matters herein stated can cause personal injury or damage to the machine

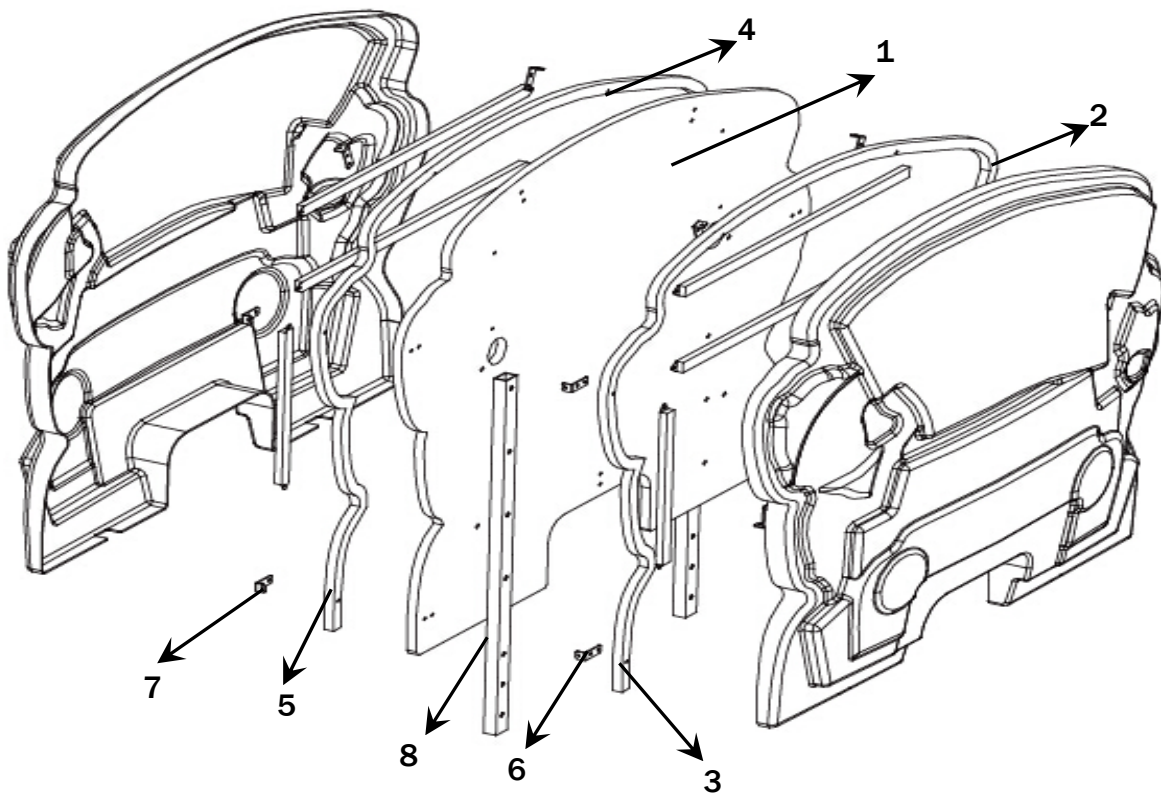


WARNING

- Before servicing the machine, be sure to turn power off. Servicing without turning the power off can cause electric shock or short circuit.
- To avoid electric shock or short circuit, do not plug then unplug the power quickly
- Do not expose power cords and earth wires, these are susceptible to damage.
- Damaged cords and wires can cause electric shock or short circuit and should be replaced immediately.
- When or after installing the product, avoid pulling the power cord to prevent unnecessary wear and tear. Use the power button to disconnect power.
- In case the power cord is damaged, ask for replacement through where the product was purchased from or replace locally. Continued usage of damaged cord can cause fire, electric shock or leakage.
- Perform grounding appropriately. Inappropriate grounding can cause electric shock.
- Use fuses that meet specified rating. Fuses exceeding can cause an electric shock.
- Should a problem occur, turn off the power immediately and stop operating the machine. Unplug the power cord of the service outlet. Operating the machine without correcting the problem may cause a fire or injuries.
- Insert the power plug securely into the outlet. Poor contact may cause overheating, resulting in fire or burns.
- To ensure the warning labels attached on the machine are visible and legible, install the machine in a well-lit location, and keep the labels clean at all times. Make sure the labels are not hidden behind other game machines.

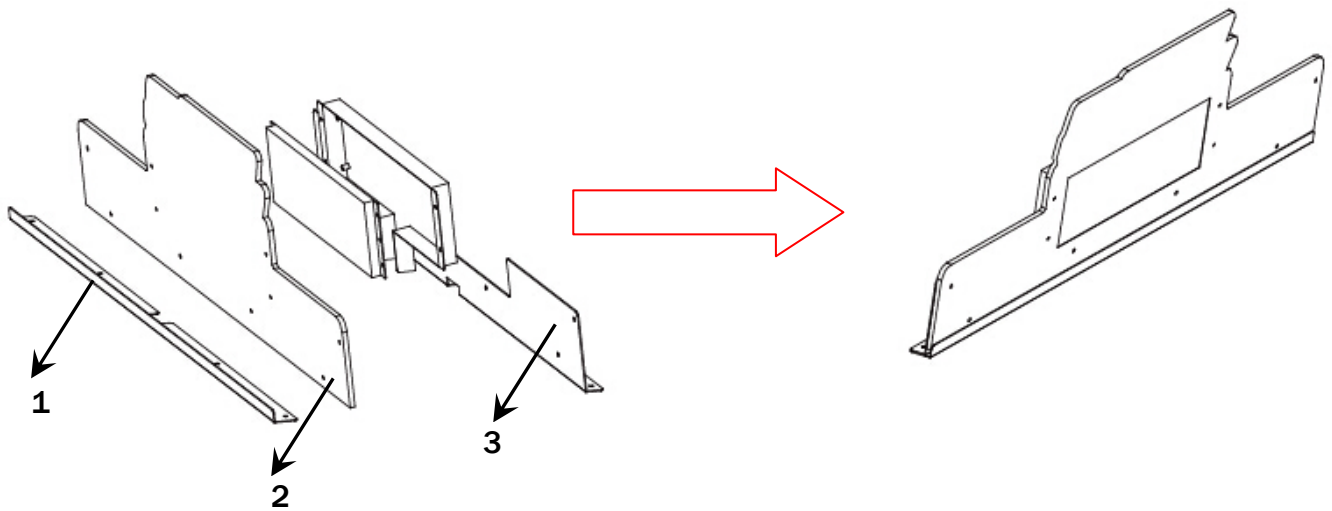
9. OVERALL CONSTRUCTION

9.1 Marquee Part



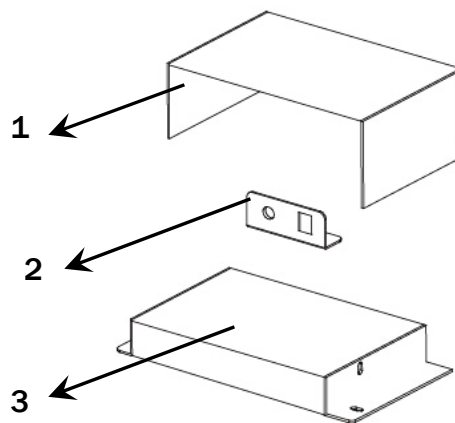
No.	Part No.	Code No.	Name	Material	Qty.
1	S124-510-000	20311406A005	Top vacuum foam fixed board	Black MDF	1
2	S124-508-000	20311406A003	Light R obverse board	Black MDF	1
3	S124-506-000	20311406A001	Light L obverse board	Black MDF	1
4	S124-507-000	20311406A002	Light L reverse board	Black MDF	1
5	S124-509-000	20311406A004	Light R reverse board	Black MDF	1
6	S124-123-000	20211406A013	Vacuum foam obverse bracket	Metal	6
7	S124-124-000	20211406A014	Vacuum foam reverse bracket	Metal	6
8	S124-125-000	20211406A015	Marquee support bracket	Q235	2

9.2 Digital Part



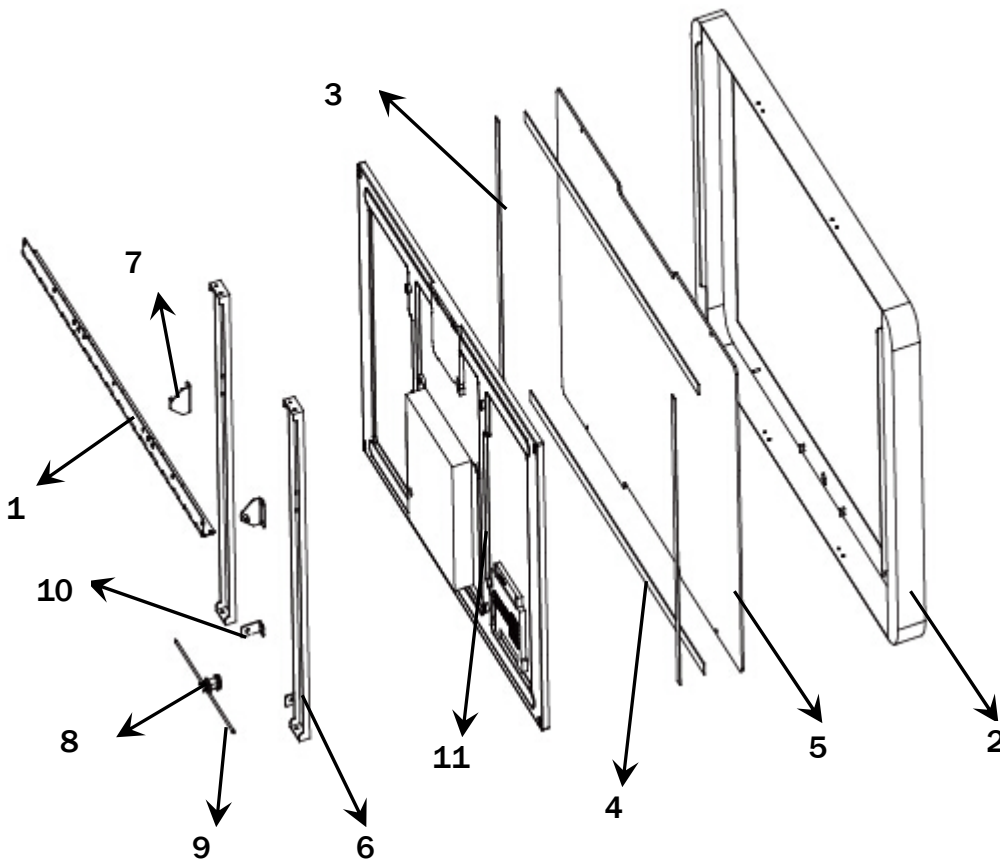
No.	Part No.	Code No.	Name	Material	Qty.
1	S124-128-000	20211406A018	Digital base	Stainless steel 202	2
2	S124-126-000	20211406A016	Digital cover	Q235	2
3	S124-127-000	20211406A017	Digital back plate	Q235	2

9.3 Power SW Part



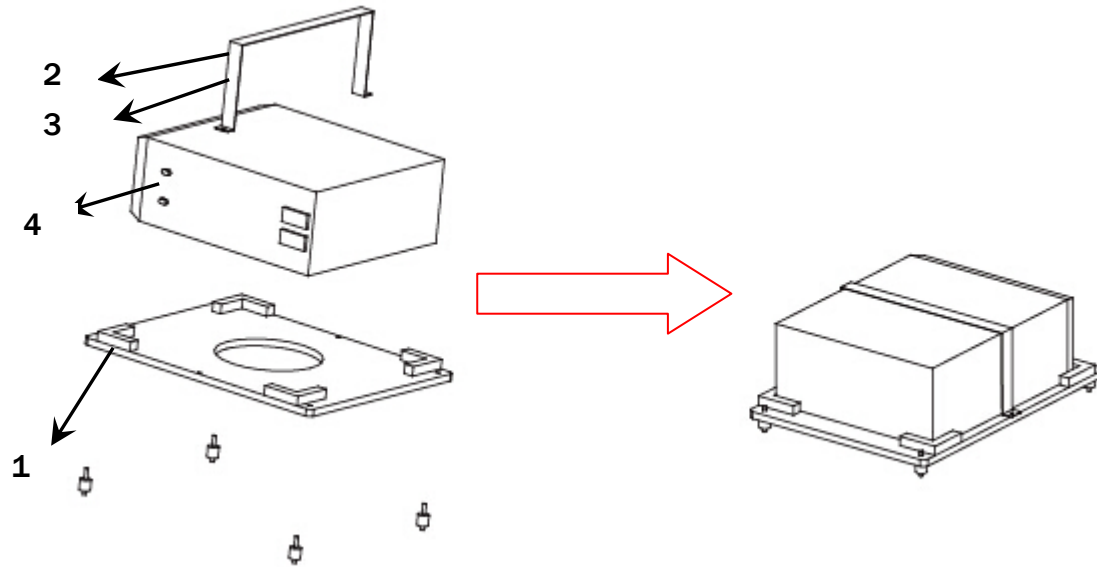
No.	Part No.	Code No.	Name	Material	Qty.
1	S124-139-000	20211406A026	Power SW base	Q235	1
2	S124-140-000	20211406A027	Power SW mounted plate	Q235	1
3	S124-140-000	20611406A004	Power SW cover plate	PVC	1

9.4 Monitor Part



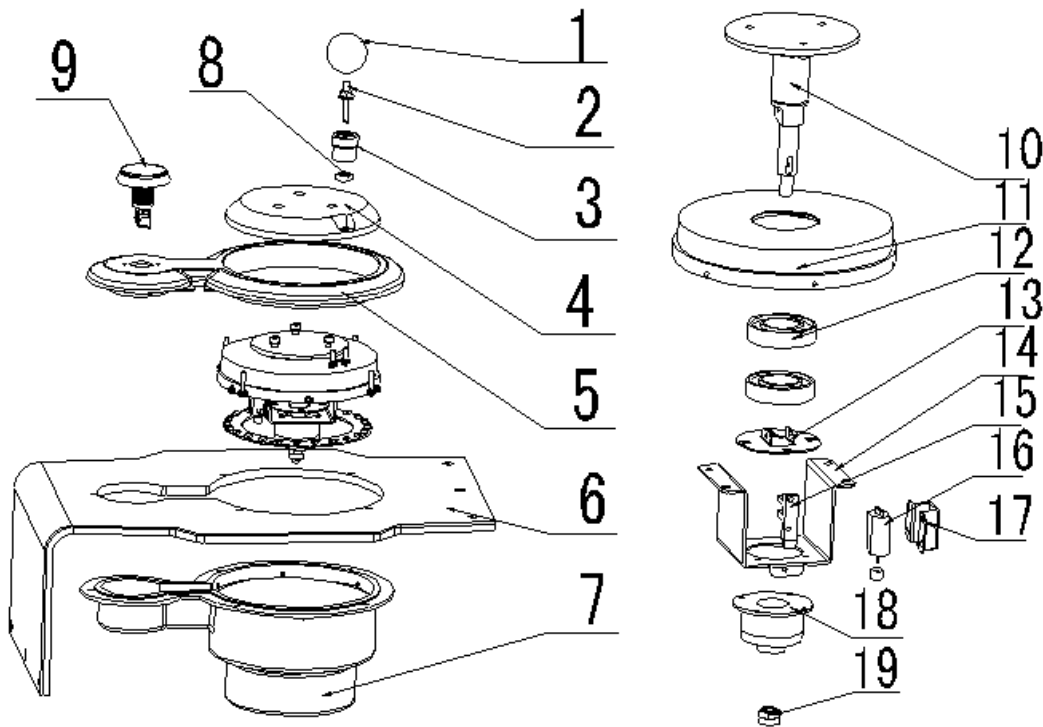
No.	Part No.	Code No.	Name	Material	Qty.
1	S124-129-000	20211406A019	Monitor hinge	Stainless steel 202	2
2	S124-130-000	20211406A020	Monitor shell	Q235	2
3	S124-131-000	20611406A001	Monitor L&R tape	Black foam	4
4	S124-132-000	20611406A002	Monitor top& bottom tape	Black foam	4
5	S124-133-000	20611406A003	Monitor protection plate	Plexi.	2
6	S124-134-000	20211406A021	Monitor support bracket	Metal	4
7	S124-135-000	20211406A022	Spring up support bracket	Metal	4
8	S124-136-000	20211406A023	Lock rod	Stainless steel 202	4
9	S124-137-000	20211406A024	Lock pin	Metal	2
10	S124-138-000	20211406A025	Lock rod support bracket	Metal	4
11	S124-419-000	21201042002	Monitor	42"	2

9.5 PC Part



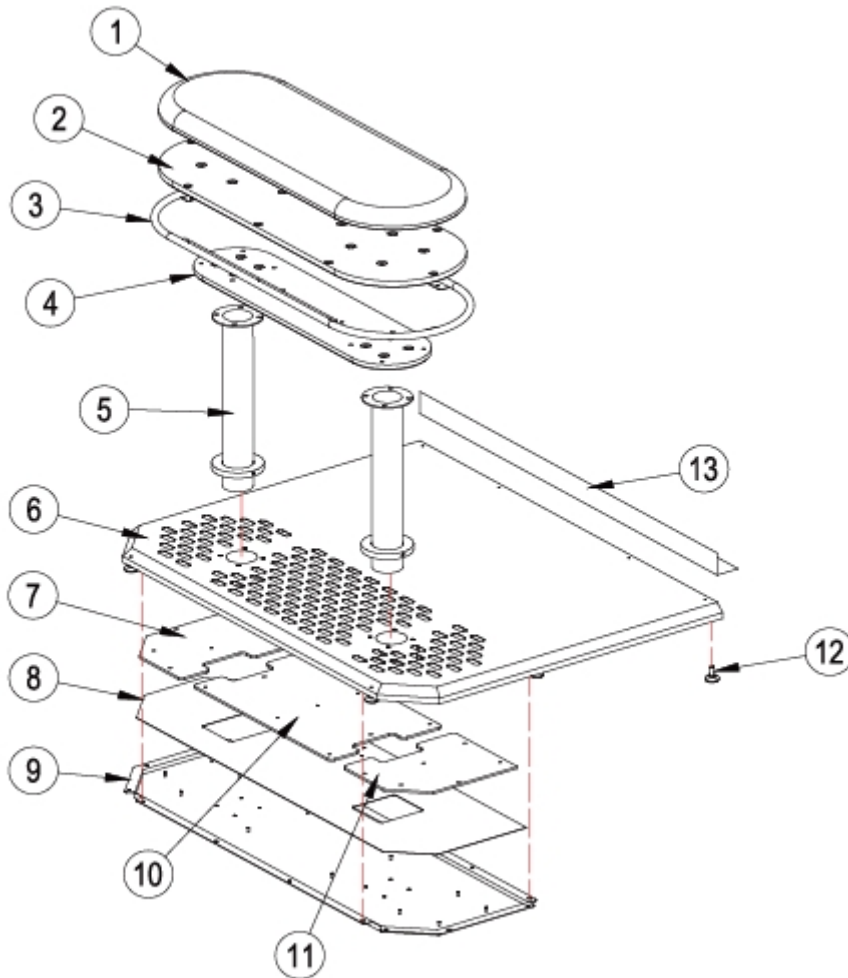
No.	Part No.	Code No.	Name	Material	Qty.
1	S124-530-000	20311406A023	PC base board	Black MDF	2
2	S124-142-000	20211406A028	PC platen	Metal	1
3	S124-143-000	20211406A005	PC platen tape	Black foam	1
4	S124-408-000	21101000023	PC	DELL	1

9.6 Reel Part



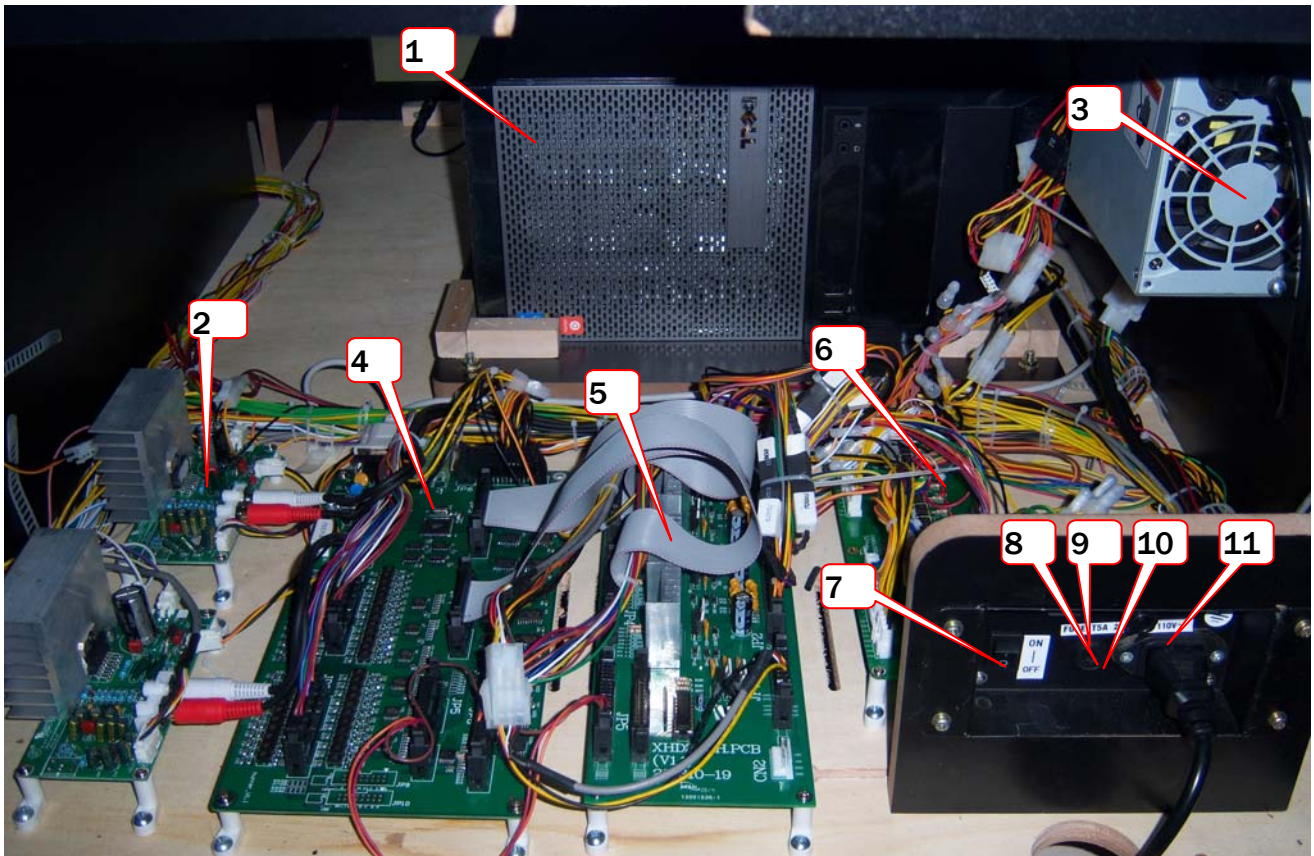
No.	Part No.	Draw No.	Name	Material	Qty
1	S124-455-000	22404010013	Joy stick ball	Φ45	2
2	S124-109-000	20211403035	Joy stick shaft	Stainless steel	4
3	S124-110-000	20211403036	Joy stick shaft base	Stainless steel	4
4	S124-108-000	20211403034	Joy stick cover	Chroming	4
5	S124-107-000	20611403007	Joy stick base cover	ABS	4
6	S124-715-000	20511406A015	Control panel plexi. L decal	Silk screen	2
	S124-715-000	20511406A014	Control panel plexi. R decal	Silk screen	2
7	S124-101-000	20611403006	Joy stick base	ABS	4
8	S124-469-000	20106000317	Deep groove ball Br.	626	2
9	S124-450-000	22401030006	Middle button with light	White	2
10	S124-104-000	20211403031	Joy stick shaft	45#	2
11	S124-102-000	20211403029	Joy stick shaft base	45#	2
12	S124-465-000	20106000078	Deep groove ball Br.	6006-2Z	2
13	S124-105-000	20211403032	Encoding disk	Q235	2
14	S124-103-000	20211403030	Electromagnetic shaft base	Q235	2
15	S124-449-000	21501000040	Sensor	K1669	2
16	S124-466-000	23404000210	Vibration motor	JFF-180 5V 0.05A	2
17	S124-106-000	20211403033	Vibration plate	Q235	2
18	S124-467-000	20741341102	Brake	24V 3NM	2
19	S124-327-000	20102000001	Non-metallic hexagon lock nut	M10	2

9.7 Stool Assembly

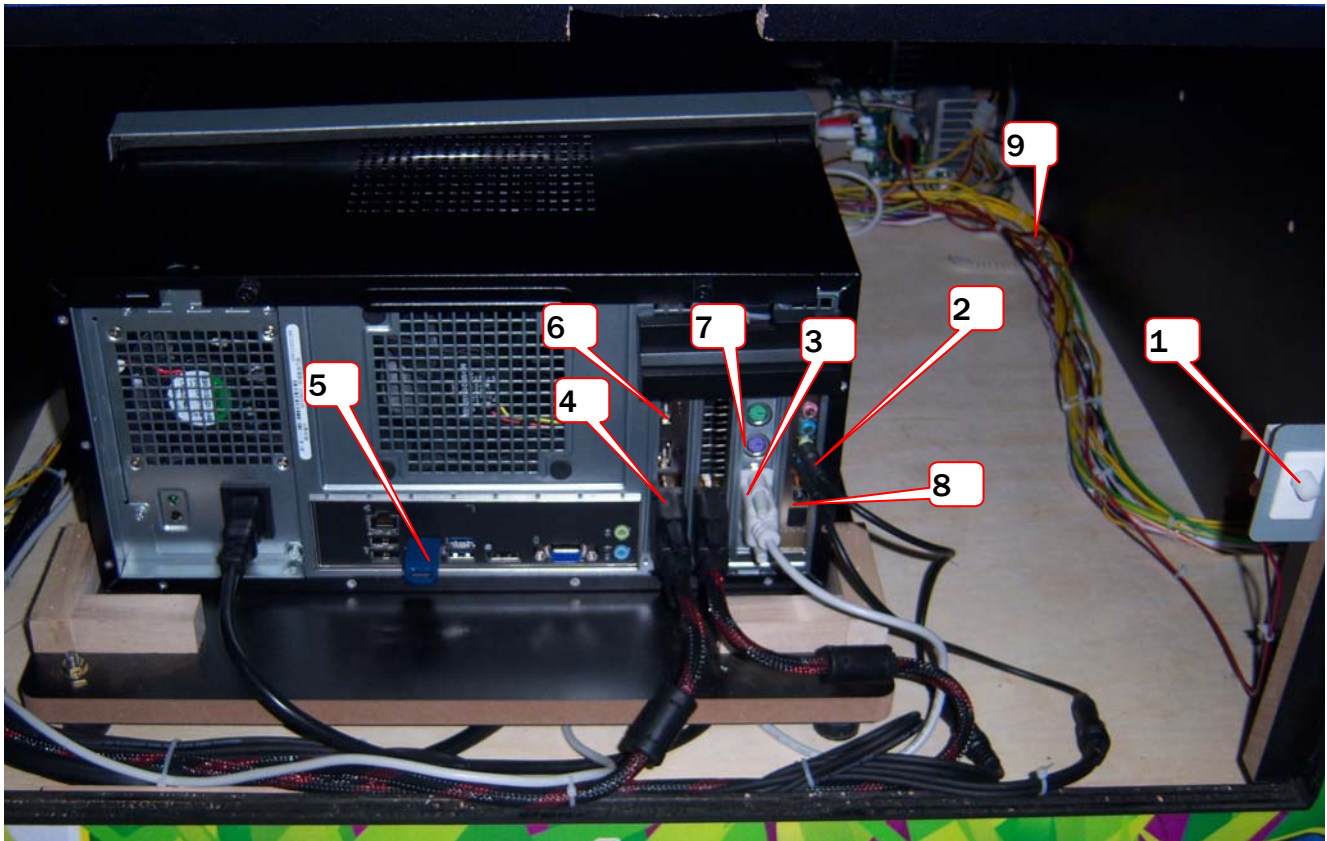


No.	Part No.	Code	Name	Qty
1	S124-150-000	20611301037	Stool surface	2
2	S124-532-000	20311301044	Stool surface board	2
3	S124-151-000	20211301087	Stool ring	2
4	S124-533-000	20311301043	Stool surface mounted board	2
5	S124-172-000	20241122S052	Stool rod	4
6	S124-174-000	20241122S057	Stool pedal	2
7	S124-154-000	20611301039	Stool sides plexi.	2
8	S124-155-000	20611301040	Stool light bar fixed plate	2
9	S124-152-000	20211301090	Stool bottom plate	2
10	S124-153-000	20611301038	Stool middle plexi.	2
11	S124-154-000	20611301039	Stool sides plexi.	2
12	S124-470-000	25900022001	M8*15 leveller	14
13	S124-173-000	20241122S056	Stool connected plate	4

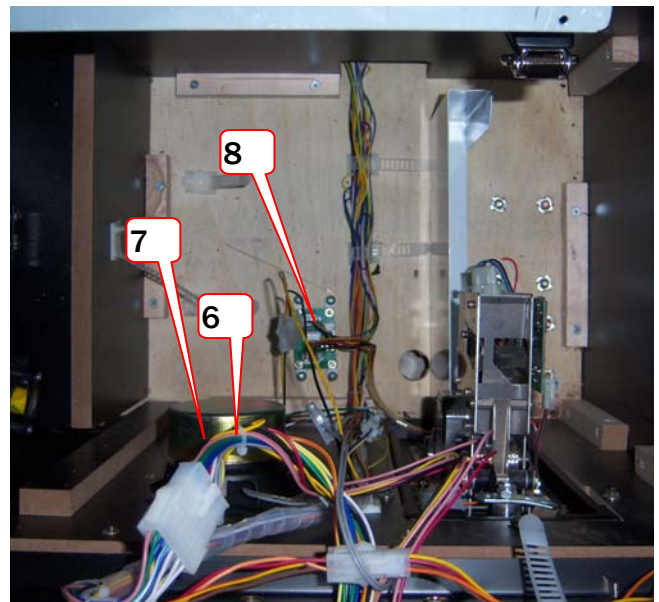
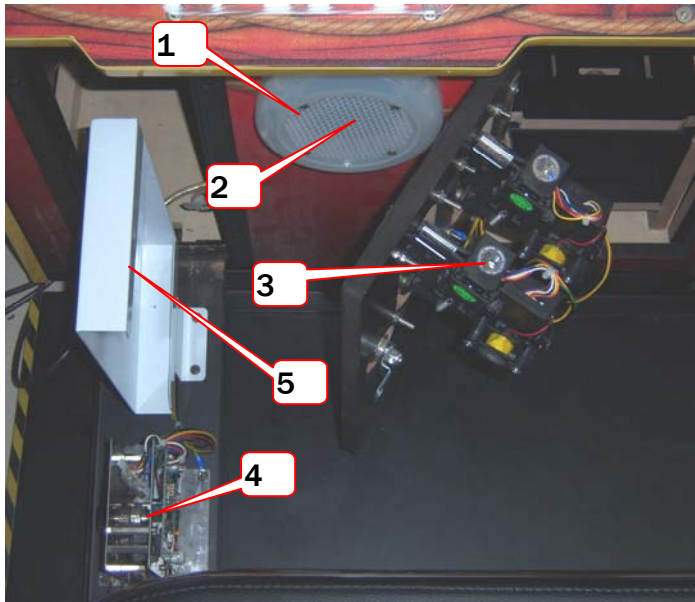
9.8 Electrical Parts



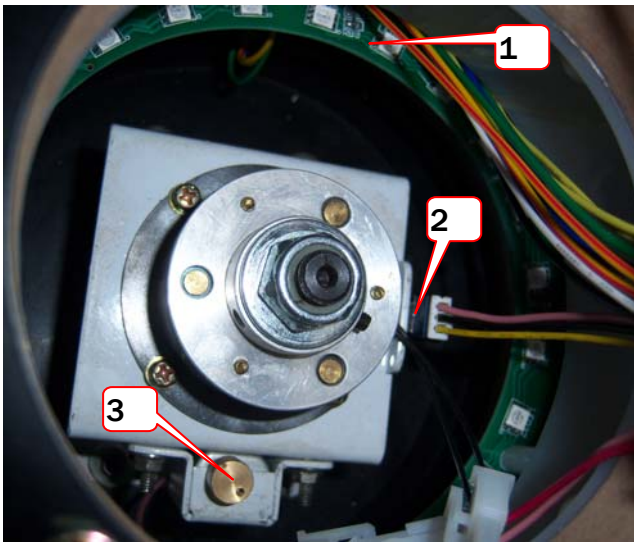
No.	Part No.	Code	Name	Material	Qty
1	S124-408-000	21101000023	PC	Dell	1
2	S124-421-000	22803000047	Power amplifier	2.0-A	2
3	S124-420-000	21602000001	Power supply	BTX-3039(110V220V)	1
4	S124-426-000	20711406003	Main board		1
5	S124-427-000	29741122S002	Expansion PCB	XHD2-CH.PCB(V1.1)	1
6	S124-428-000	29760819001	Light control PCB	L-CTRL.PCB	1
7	S124-407-000	22601000005	Small socket SW	T125/55	1
8	S124-405-000	21901000012	Fuse	Φ 5×20mm T5A 250VAC	1
9	S124-404-000	21902000006	Fuse base	R3-11 110V/250V/10A	1
10	S124-406-000	21412000001	Terminal	10A/15A/250V black	1
11	S124-418-000	23301018002	Power cord	3x18AWG 0.5M UL	1



No.	Part No.	Code	Name	Material	Qty
1	S124-443-000	22601010003	Door SW	SB175	2
2	S124-415-000	23305000003	Audio cable	1.8M	2
3	S124-414-000	23303020001	Serial cable	DB9F-DB9F(2M)	1
4	S124-413-000	23307020001	DVI-DVI video cable	DVI-DVI(3m)	2
5	S124-417-000	20711406004	Dongle	Dongle	1
6	S124-409-000	21107030041	Video card	GTX750 2G	1
7	S124-411-000	21107230001	Serial card	CN-05R33FC	1
8	S124-410-000	20741122S003	Audio card	PCI Express x1	1
9	S124-454-000	23309000165	Wiring		1

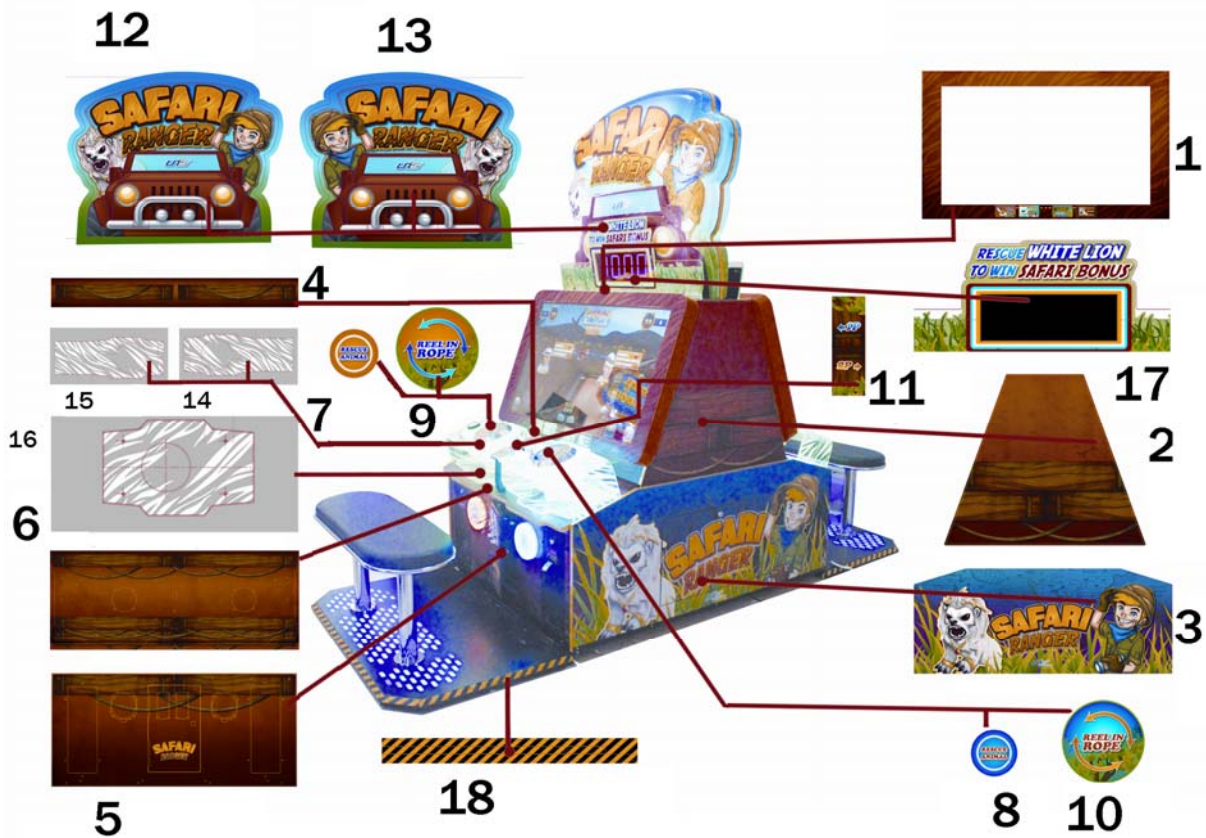


No.	Part No.	Code	Name	Material	Qty
1	S124-168-000	26000057001	Speaker net light cover	PC	4
2	S124-423-000	29751301003	Speaker light PCB	LED-SP.PCB(V1.0)	4
3	S124-438-000	22301000001	Coin mech.		4
4	S124-439-000	23100000005	Ticket dispenser	CL-022Q-270	4
5	S124-113-000	20211406A003	Ticket box		4
6	S124-169-000	26000057002	Speaker net light bracket	Metal	4
7	S124-422-000	22801000047	Speaker	15W	4
8	S124-440-000	21712000001	Ticket dispenser convert PCB	TICK-CH.PCB	4
9	S124-434-000	23000000006	Meter	C-012 12VDC 18CPS	2
10	S124-164-000	26000044000	New meter bracket	Metal	2
11	S124-431-000	21709000002	POT PCB	VR.PCB	2
12	S124-432-000	22501000006	POT	S124-432-000	2
13	S124-433-000	22403000001	POT knob	Black	2
14	S124-435-000	22402030002	Settings button	PB:11C02R(Green)	1
15	S124-436-000	22402050001	Test button	PB:11C02R(Blck)	2
16	S124-437-000	22402010002	Service button	PB:11C02R(red)	2

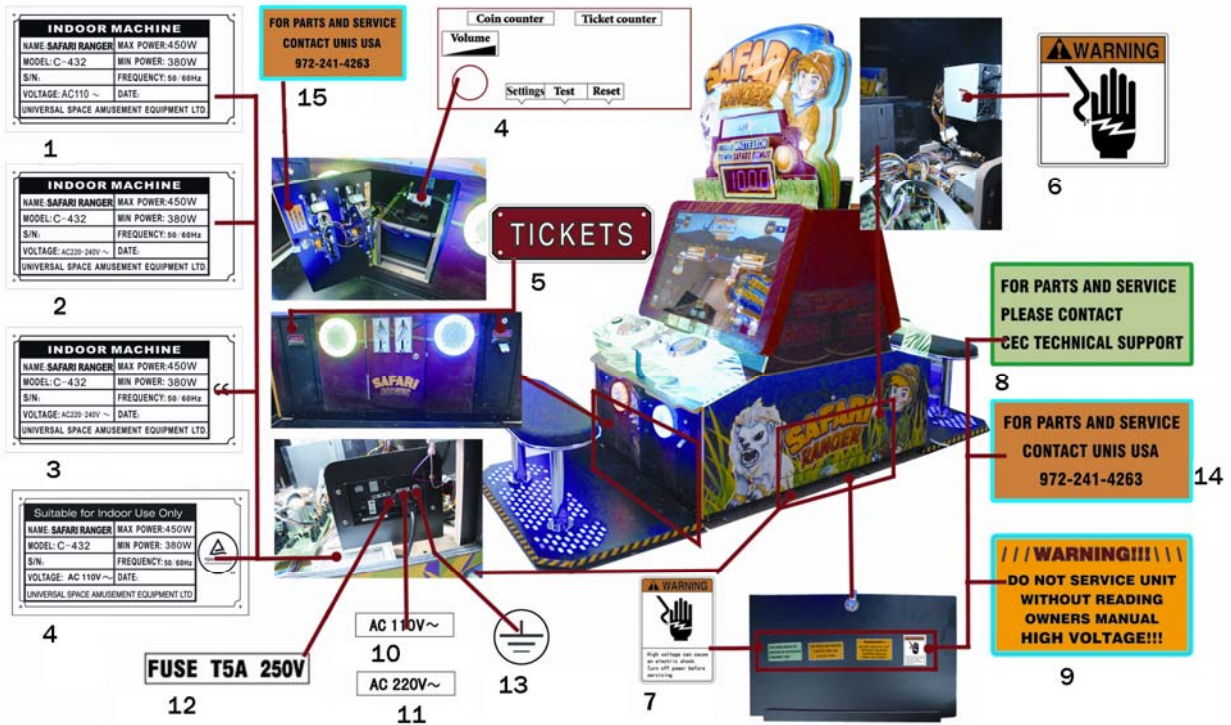


No.	Part No.	Code	Name	Material	Qty
1	S124-430-000	29711406001	Control panel light PCB	FZXLR-KTLED.PCB(V1.0)	4
2	S124-449-000	21501000040	Sensor	K1669	4
3	S124-466-000	23404000210	Vibration motor	JFF-180 5V 0.05A	4
4	S124-445-000	22003080005	Marquee top light	W5630-LC55cm-60z/m-DC 12V	4
5	S124-444-000	22003080003	Marquee side light	W5630-LC30cm-60z/m-DC 12V	5
6	S124-446-000	22002013009	Digital LED green light strip	DC12V 3528LED 60z/m green	2
7	S124-429-000	29711406002	Digital PCB	FZXLR-LED40B4.PCB(V1.0)	2

9.9 Decal Parts



No.	Part No.	Code	Name	Material	Qty
1	S124-701-000	20511406A001	Monitor decal	0.3 PVC	2
2	S124-702-000	20511406A002	Side board top L&R decal	0.3 PVC	2
3	S124-703-000	20511406A003	Side board L&R decal	0.3 PVC	2
4	S124-704-000	20511406A004	Monitor bottom decal	0.3 PVC	2
5	S124-705-000	20511406A005	Control panel front decal	0.3 PVC	2
6	S124-706-000	20511406A006	Control panel bottom board decal	0.3 PVC	2
7	S124-707-000	20511406A007	Control panel button 1	0.3 PVC	2
8	S124-708-000	20511406A008	Control panel button 2	0.3 PVC	2
9	S124-709-000	20511406A009	Convert decal 1	0.3 PVC	2
10	S124-710-000	20511406A010	Convert decal 2	0.3 PVC	2
11	S124-711-000	20511406A011	Control panel metal decal	0.3 PVC	2
12	S124-712-000	20511406A012	Marquee vacuum foam L decal	δ 5 plexi.	1
13	S124-713-000	20511406A013	Marquee vacuum foam R decal	δ 5 plexi.	1
14	S124-714-000	20511406A014	Control panel plexi. R decal	δ 10 plexi.	2
15	S124-715-000	20511406A015	Control panel plexi. L decal	δ 10 plexi.	2
16	S124-716-000	20511406A016	Control panel bottom board plexi.	δ 10 plexi.	4
17	S124-717-000	20511406A017	Marquee digital decal	δ 8 plexi.	2
18	S124-734-000	20541122S013	Base label	0.3PVC	2





No.	Part No.	Code	Name	Material	Qty
1	S124-718-000	20511406A018	English non-certification 110V nameplate	1mmPVC	1
2	S124-719-000	20511406A019	English non-certification 220V nameplate	1mmPVC	1
3	S124-720-000	20511406A020	English CE certification 220V nameplate	1mmPVC	1
4	S124-721-000	20511406A021	English TUV certification 110V nameplate	1mmPVC	1
5	S124-723-000	25600000034	Ticket out label	PVC100u	4
6	S124-724-000	25600000036	High voltage warning (small)	PVC100u	3
7	S124-725-000	25600000037	High voltage warning (large)	PVC100u	1
8	S124-726-000	25600000043	Service info. Label 2	PVC100u	1
9	S124-727-000	25600000067	Service info. Label	PVC100u	1
10	S124-728-000	25600000071	New voltage 110V	PVC100u	1
11	S124-729-000	25600000072	New voltage 220V	PVC100u	1
12	S124-730-000	25600000074	Fuse T5A/250V	PVC100u	1
13	S124-731-000	25600000091	New GND label	PVC100u	1
14	S124-732-000	25600000095	New service label(large)	PVC100u	1
15	S124-733-000	25600000096	New service label(small)	PVC100u	1
16	S124-722-000	25600000101	CEC meter label	PVC100u	2



Have Questions? Contact us!

www.universal-space.com

 International Support Center	 USA Support Center
Tel: +1-905-477-2823 Fax: +1-905-477-2660 Email: service@universal-space.com (Contact: Clement Yau)	Tel: 972-241-4263 Fax: 214-919-4918 Email: tsnelling@unisusasupportcenter.com (Contact: Tim Snelling)